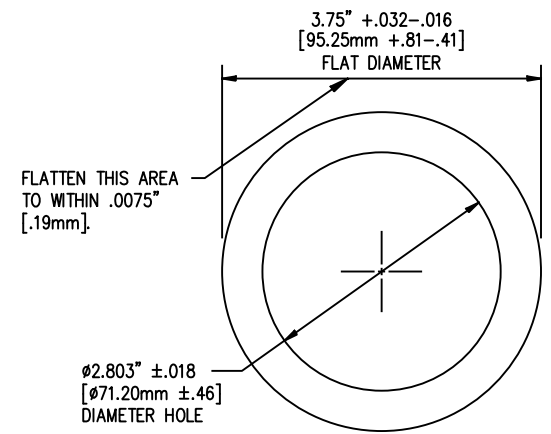
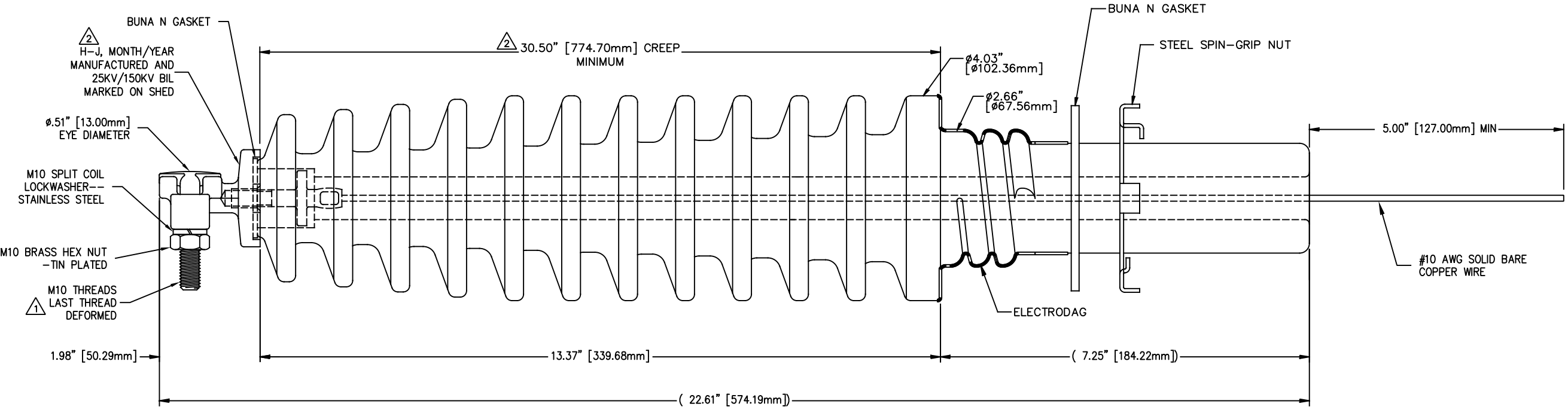
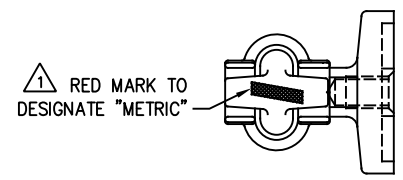


REVISIONS					
NO.	DATE	ECN#	REMARKS	BY	APPD.
1	3-11-03	HJ02-119	ADDED A NOTE AND REVISED THREAD NOTE.	CJT	SP
2	5-13-04	HJ04-087	REVISED CREEP AND DESCRIPTION, REMOVED SHANK STAMP, ADDED SHED MARKING AND CERTIFICATION NOTE.	JRM	SP
3	4-15-17	HJ17-093	CHG'D CERT #, WAS NRF-008-CFE-2000 TO-53100-84	TJF	BLB



H.V. COVER HOLE DIMENSIONS

- PORCELAIN NOTES:
1. WET PROCESS ELECTRICAL PORCELAIN
 2. GREY GLAZE MUNSELL 5BG 7.0/0.4
 3. TOLERANCE ±3% WITH NOTHING LESS THAN ±.03.

2/3
**CERTIFIED BY CFE/LAPEM (CFE BE2N1500015)
 BASED ON MEXICAN STANDARD CFE 53100-84**

TOLERANCES (EXCEPT AS NOTED) DECIMAL $\pm .032" / .8mm$ FRACTIONAL \pm ANGULAR $\pm 2'$		H-J ENTERPRISES, INC. 3010 HIGH RIDGE BLVD. HIGH RIDGE, MO. 63049 USA PHONE 1-636-677-3421 FAX 1-636-376-1915		
		Δ 25KV/150KV BIL NORMAL AMBIENT		
		MATERIAL SEE ABOVE		
		CHK'D	APP'D	DRAWING NO.
DRAWN BY CJT	DATE 8-23-01	SCALE N.T.S.	MAS0020-021	